

PRIDELED ANKASTRE / RECESSED

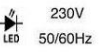


Özellikler:

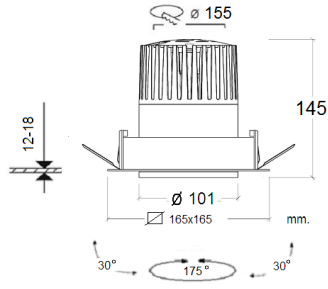
- Elektrostatik toz boyalı
- Metal dış çerçeve ve alüminyum profil gövde
- Alüminyum enjeksiyon soğutucu
- Polimer çerçeve
- Dikey ekseninde 30° ve yatay eksen 175° yönlendirilebilir
- 15° - 24° - 36° - 48° ışık açısı seçenekli %99,8 saflıkta parlak desenli alüminyum reflektör
- Yüksek geçirgenlikli temperli koruma camı

Specifications:

- Electrostatic powder coated
- Metal outer frame and extruded aluminium body
- Die cast aluminium heat sink
- Polymer frame
- Adjustability allows 30° rotation for the vertical axis and 175° tilting for the horizontal axis
- 15° - 24° - 36° - 48° beam angle options with %99,8 pured polished pattern aluminium reflector
- Extra clear tempered protection glass



Standard Version			
L AN4803030	1x12W	LED Modul	1535 gr.
L AN4803031	1x18W	LED Modul	1535 gr.
L AN4803032	1x25W	LED Modul	1535 gr.
L AN4803033	1x30W	LED Modul	1535 gr.
L AN4803034	1x44W	LED Modul	Fanlı Soğutma / Cooling With Fan 1645 gr.
L AN4807030	1x25W	ZHAGA LED Modul	1535 gr.
DALI DIMM Version			
L AN4803040	1x12W	LED Modul	1650 gr.
L AN4803041	1x18W	LED Modul	1650 gr.
L AN4803042	1x25W	LED Modul	1650 gr.
L AN4803043	1x30W	LED Modul	1650 gr.
L AN4803044	1x44W	LED Modul	Fanlı Soğutma / Cooling With Fan 1760 gr.
L AN4807040	1x25W	ZHAGA LED Modul	1650 gr.
Akülü; 1 saat kapasiteli / With 1 hour battery pack			
L AN4803050	1x12W	LED Modul	1995 gr.
L AN4803051	1x18W	LED Modul	1995 gr.
L AN4803052	1x25W	LED Modul	1995 gr.
L AN4803053	1x30W	LED Modul	1995 gr.
L AN4803054	1x44W	LED Modul	Fanlı Soğutma / Cooling With Fan 2095 gr.
L AN4807050	1x25W	ZHAGA LED Modul	1995 gr.
Akülü; 3 saat kapasiteli / With 3 hour battery pack			
L AN4803060	1x12W	LED Modul	2120 gr.
L AN4803061	1x18W	LED Modul	2120 gr.
L AN4803062	1x25W	LED Modul	2120 gr.
L AN4803063	1x30W	LED Modul	2120 gr.
L AN4803064	1x44W	LED Modul	Fanlı Soğutma / Cooling With Fan 2245 gr.
L AN4807060	1x25W	ZHAGA LED Modul	2120 gr.

Lamba/LampRenk Seçenekleri / Color OptionsLED Modul
3000KZHAGA LED Modul
3000K - 4000KLed Bilgileri/LED Information**LED Modul**

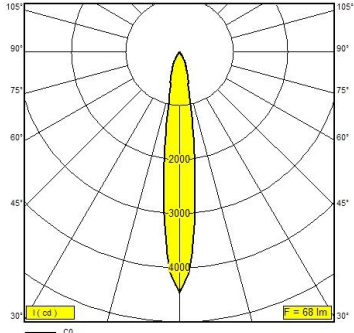
Işık rengi Color temperature K	Güç tüketimi Consumed power W	Çalışma akımı Input current mA	Çalışma gerilimi Input voltage V	Lumen değeri Lumen output lm(tc: 55°C)	Min. Renksel geriverim Min. Color rendering ra
3000	12	350	35,0	1500	%80
3000	18	500	36,0	2000	%80
3000	25	700	37,0	3000	%80
3000	30	850	36,0	3750	%80
3000	44	1200	37,5	4900	%80

ZHAGA LED Modul

Işık rengi Color temperature K	Güç tüketimi Consumed power W	Çalışma akımı Input current mA	Çalışma gerilimi Input voltage V	Lumen değeri Lumen output lm(tc: 55°C)	Min. Renksel geriverim Min. Color rendering ra
3000	25	600	44	3100	%80
4000	25	600	44	3200	%80

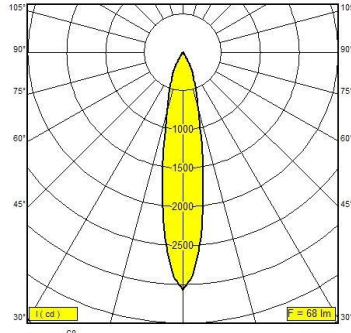
* Minimum LED ömrü 50.000 Saat / Minimum LED life time 50.000 Hours

LED Modul



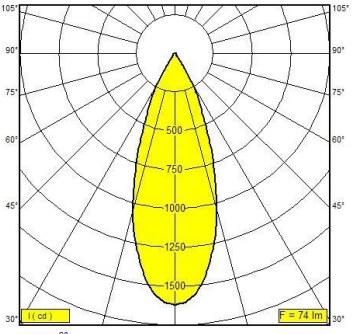
H : 1,0 m	6849 lx	Ø0,3 m	4770 lx
H : 2,0 m	1712 lx	Ø0,5 m	1193 lx
H : 3,0 m	761 lx	Ø0,8 m	530 lx
H : 4,0 m	428 lx	Ø1,1 m	298 lx

15° (350mA) (3000K)



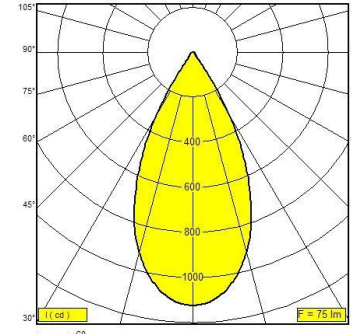
H : 1,0 m	4713 lx	Ø0,4 m	3229 lx
H : 2,0 m	1178 lx	Ø0,7 m	807 lx
H : 3,0 m	524 lx	Ø1,1 m	359 lx
H : 4,0 m	295 lx	Ø1,4 m	202 lx

24° (350mA) (3000K)



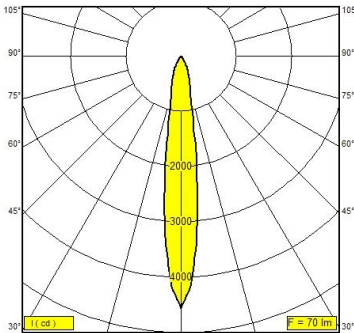
H : 1,0 m	2486 lx	Ø0,7 m	1681 lx
H : 2,0 m	622 lx	Ø1,3 m	420 lx
H : 3,0 m	276 lx	Ø2,0 m	187 lx
H : 4,0 m	155 lx	Ø2,7 m	105 lx

36° (350mA) (3000K)



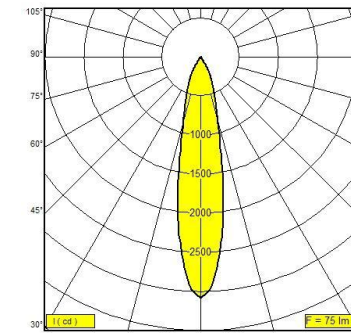
H : 1,0 m	1720 lx	Ø0,9 m	1109 lx
H : 2,0 m	430 lx	Ø1,9 m	277 lx
H : 3,0 m	191 lx	Ø2,8 m	123 lx
H : 4,0 m	107 lx	Ø3,7 m	69 lx

48° (350mA) (3000K)



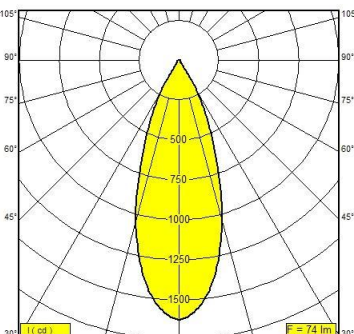
H : 1,0 m	9202 lx	Ø0,3 m	6356 lx
H : 2,0 m	2300 lx	Ø0,5 m	1589 lx
H : 3,0 m	1022 lx	Ø0,8 m	706 lx
H : 4,0 m	575 lx	Ø1,1 m	397 lx

15° (500mA) (3000K)



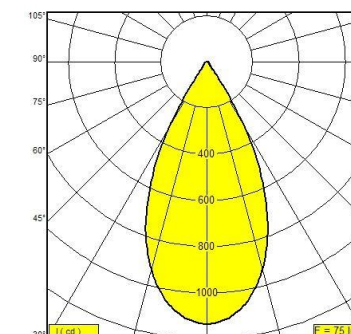
H : 1,0 m	6231 lx	Ø0,4 m	4346 lx
H : 2,0 m	1558 lx	Ø0,8 m	1087 lx
H : 3,0 m	692 lx	Ø1,2 m	483 lx
H : 4,0 m	389 lx	Ø1,5 m	272 lx

24° (500mA) (3000K)



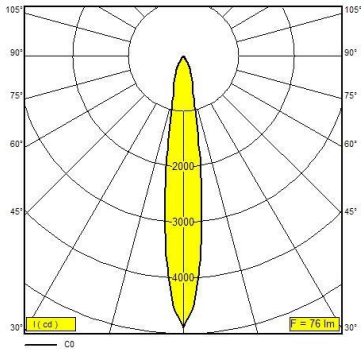
H : 1,0 m	3288 lx	Ø0,7 m	2209 lx
H : 2,0 m	822 lx	Ø1,3 m	552 lx
H : 3,0 m	365 lx	Ø2,0 m	245 lx
H : 4,0 m	205 lx	Ø2,7 m	138 lx

36° (500mA) (3000K)



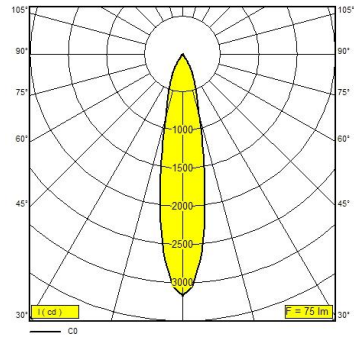
H : 1,0 m	2282 lx	Ø0,9 m	1471 lx
H : 2,0 m	571 lx	Ø1,9 m	368 lx
H : 3,0 m	254 lx	Ø2,8 m	163 lx
H : 4,0 m	143 lx	Ø3,7 m	92 lx

48° (500mA) (3000K)



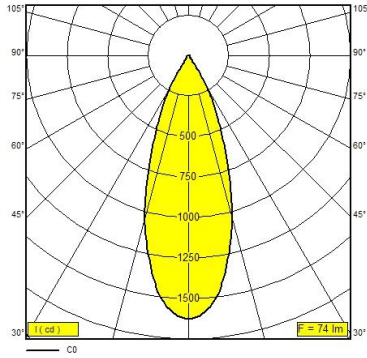
H : 1,0 m	Ø0,3 m
14094 lx	9770 lx
H : 2,0 m	Ø0,6 m
3523 lx	2443 lx
H : 3,0 m	Ø0,8 m
1566 lx	1086 lx
H : 4,0 m	Ø1,1 m
881 lx	611 lx

15° (700mA) (3000K)



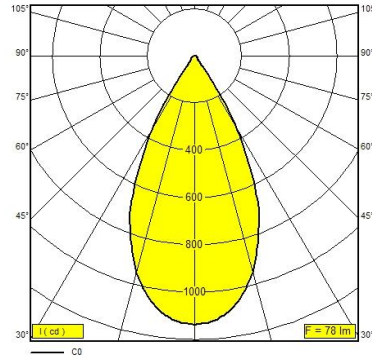
H : 1,0 m	Ø0,4 m
9124 lx	6365 lx
H : 2,0 m	Ø0,7 m
2281 lx	1591 lx
H : 3,0 m	Ø1,1 m
1014 lx	707 lx
H : 4,0 m	Ø1,5 m
570 lx	398 lx

24° (700mA) (3000K)



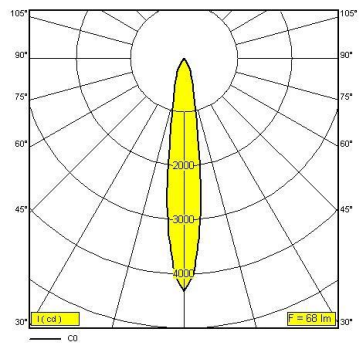
H : 1,0 m	Ø0,7 m
4689 lx	3156 lx
H : 2,0 m	Ø1,3 m
1172 lx	789 lx
H : 3,0 m	Ø2,0 m
521 lx	351 lx
H : 4,0 m	Ø2,7 m
293 lx	197 lx

36° (700mA) (3000K)



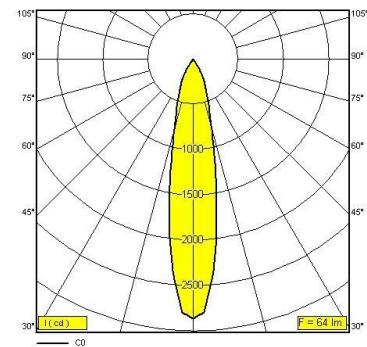
H : 1,0 m	Ø1,0 m
3256 lx	2104 lx
H : 2,0 m	Ø1,9 m
814 lx	526 lx
H : 3,0 m	Ø2,9 m
362 lx	234 lx
H : 4,0 m	Ø3,8 m
204 lx	132 lx

48° (700mA) (3000K)



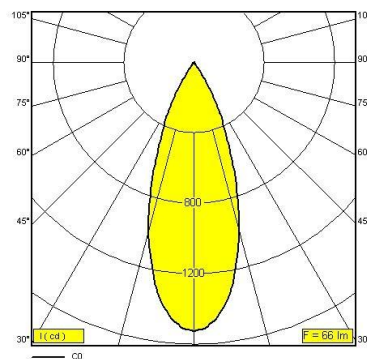
H : 1,0 m	Ø0,3 m
15602 lx	10931 lx
H : 2,0 m	Ø0,6 m
3901 lx	2733 lx
H : 3,0 m	Ø0,9 m
1734 lx	1215 lx
H : 4,0 m	Ø1,2 m
975 lx	683 lx

15° (850mA) (3000K)



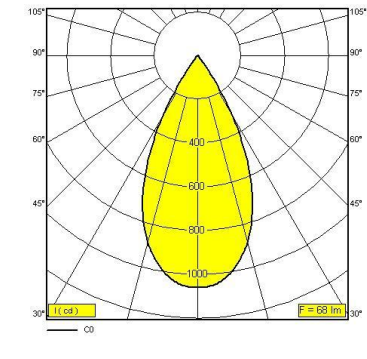
H : 1,0 m	Ø0,4 m
10281 lx	7158 lx
H : 2,0 m	Ø0,7 m
2570 lx	1789 lx
H : 3,0 m	Ø1,1 m
1142 lx	795 lx
H : 4,0 m	Ø1,5 m
643 lx	447 lx

24° (850mA) (3000K)



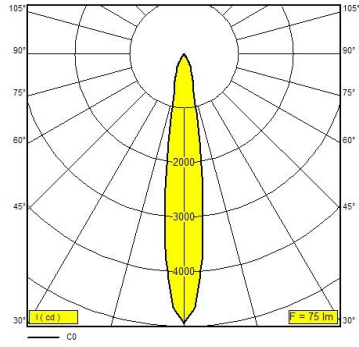
H : 1,0 m	Ø0,7 m
5479 lx	3699 lx
H : 2,0 m	Ø1,4 m
1370 lx	925 lx
H : 3,0 m	Ø2,0 m
609 lx	411 lx
H : 4,0 m	Ø2,7 m
342 lx	231 lx

36° (850mA) (3000K)



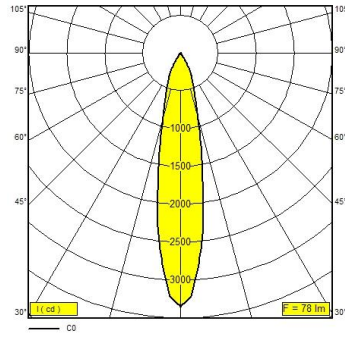
H : 1,0 m	Ø1,0 m
3806 lx	2464 lx
H : 2,0 m	Ø1,9 m
952 lx	616 lx
H : 3,0 m	Ø2,9 m
423 lx	274 lx
H : 4,0 m	Ø3,8 m
238 lx	154 lx

48° (850mA) (3000K)



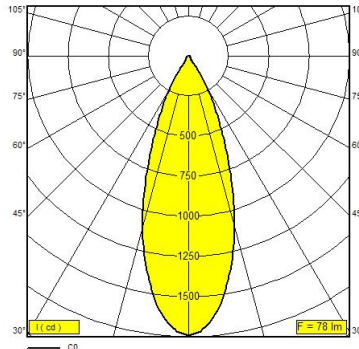
H : 1,0 m	Ø0,3 m
20613 lx	14555 lx
H : 2,0 m	Ø0,6 m
5153 lx	3639 lx
H : 3,0 m	Ø0,9 m
2290 lx	1617 lx
H : 4,0 m	Ø1,1 m
1288 lx	910 lx

15° (1200mA) (3000K)



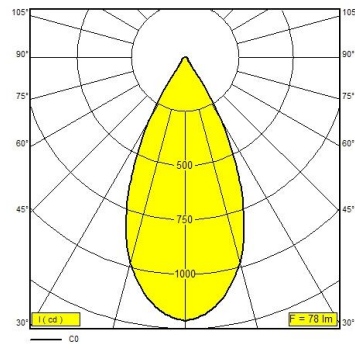
H : 1,0 m	Ø0,4 m
13956 lx	9706 lx
H : 2,0 m	Ø0,7 m
3489 lx	2427 lx
H : 3,0 m	Ø1,1 m
1551 lx	1078 lx
H : 4,0 m	Ø1,5 m
872 lx	607 lx

24° (1200mA) (3000K)



H : 1,0 m	Ø0,7 m
7251 lx	4861 lx
H : 2,0 m	Ø1,3 m
1813 lx	1215 lx
H : 3,0 m	Ø2,0 m
806 lx	540 lx
H : 4,0 m	Ø2,7 m
453 lx	304 lx

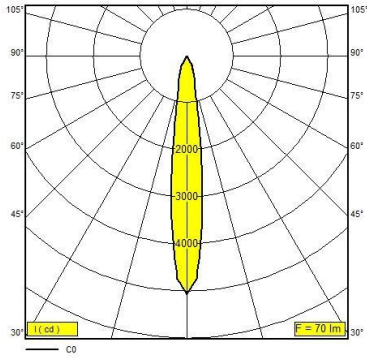
36° (1200mA) (3000K)



H : 1,0 m	Ø0,9 m
5050 lx	3271 lx
H : 2,0 m	Ø1,8 m
1263 lx	818 lx
H : 3,0 m	Ø2,7 m
561 lx	363 lx
H : 4,0 m	Ø3,6 m
316 lx	204 lx

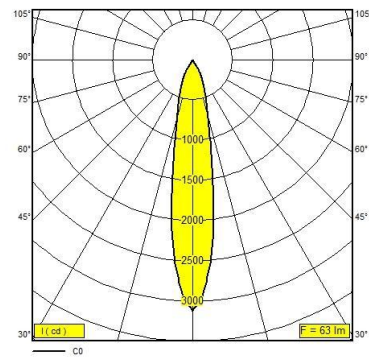
48° (1200mA) (3000K)

ZHAGA LED Modul



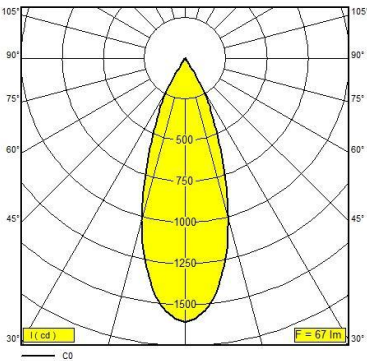
H : 1,0 m	Ø0,3 m
15120 lx	10599 lx
H : 2,0 m	Ø0,5 m
3780 lx	2650 lx
H : 3,0 m	Ø0,8 m
1680 lx	1178 lx
H : 4,0 m	Ø1,1 m
945 lx	662 lx

15° (600mA) (3000K)



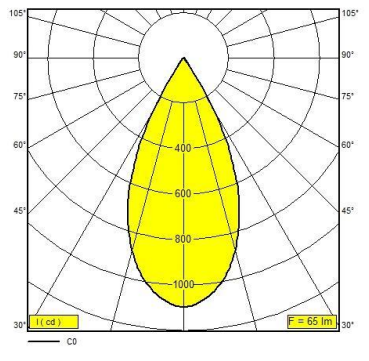
H : 1,0 m	Ø0,3 m
9376 lx	6526 lx
H : 2,0 m	Ø0,7 m
2344 lx	1632 lx
H : 3,0 m	Ø1,0 m
1042 lx	725 lx
H : 4,0 m	Ø1,4 m
586 lx	408 lx

24° (600mA) (3000K)



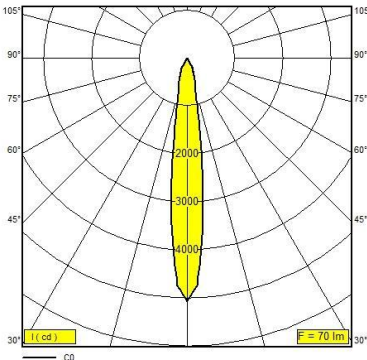
H : 1,0 m	Ø0,7 m
4824 lx	3268 lx
H : 2,0 m	Ø1,3 m
1206 lx	817 lx
H : 3,0 m	Ø2,0 m
536 lx	363 lx
H : 4,0 m	Ø2,6 m
302 lx	204 lx

36° (600mA) (3000K)



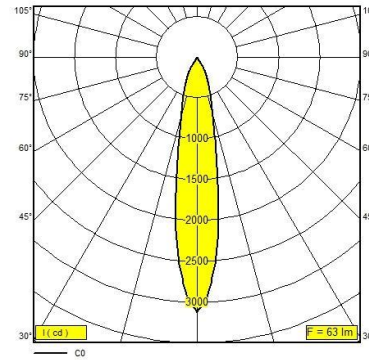
H : 1,0 m	Ø0,9 m
3280 lx	2129 lx
H : 2,0 m	Ø1,8 m
820 lx	532 lx
H : 3,0 m	Ø2,7 m
364 lx	237 lx
H : 4,0 m	Ø3,6 m
205 lx	133 lx

48° (600mA) (3000K)



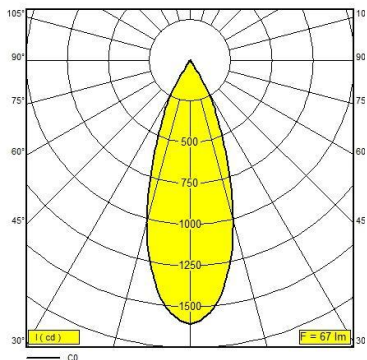
H : 1,0 m	Ø0,3 m
15624 lx	10952 lx
H : 2,0 m	Ø0,5 m
3906 lx	2738 lx
H : 3,0 m	Ø0,8 m
1736 lx	1217 lx
H : 4,0 m	Ø1,1 m
977 lx	685 lx

15° (600mA) (4000K)



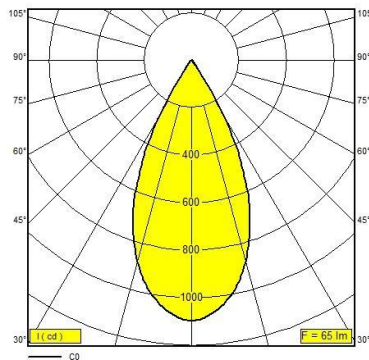
H : 1,0 m	Ø0,3 m
9688 lx	6744 lx
H : 2,0 m	Ø0,7 m
2422 lx	1686 lx
H : 3,0 m	Ø1,0 m
1076 lx	749 lx
H : 4,0 m	Ø1,4 m
606 lx	421 lx

24° (600mA) (4000K)



H : 1,0 m	Ø0,7 m
4985 lx	3377 lx
H : 2,0 m	Ø1,3 m
1246 lx	844 lx
H : 3,0 m	Ø2,0 m
554 lx	375 lx
H : 4,0 m	Ø2,6 m
312 lx	211 lx

36° (600mA) (4000K)



H : 1,0 m	Ø0,9 m
3389 lx	2200 lx
H : 2,0 m	Ø1,8 m
847 lx	550 lx
H : 3,0 m	Ø2,7 m
377 lx	244 lx
H : 4,0 m	Ø3,6 m
212 lx	137 lx

48° (600mA) (4000K)